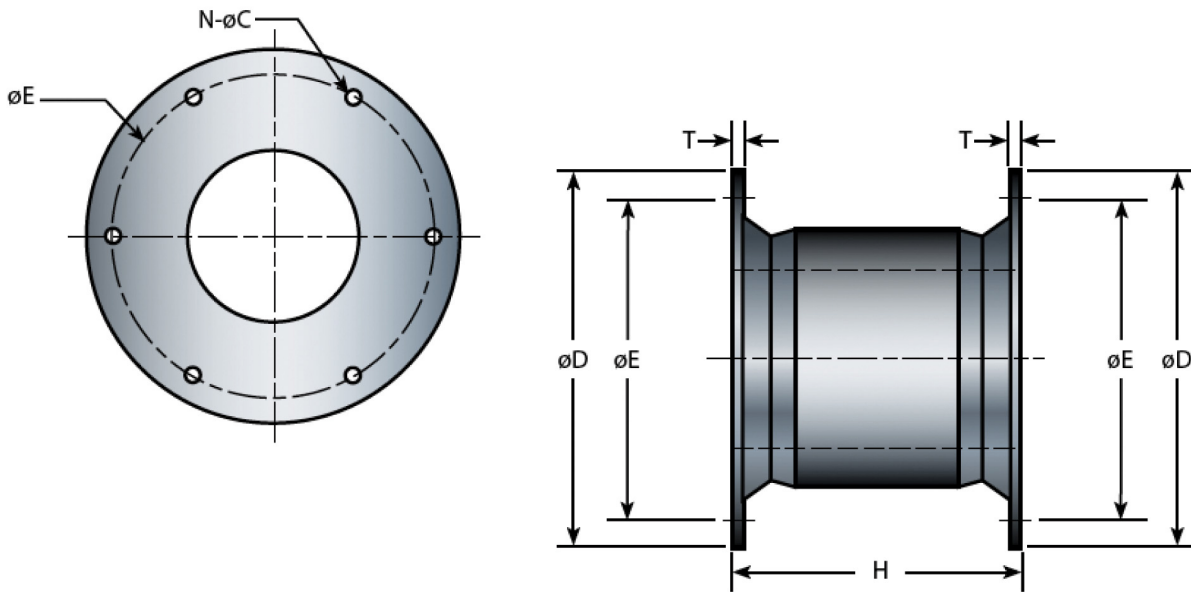


Cell fenders are the most durable rubber fenders available and are currently the largest moulded fenders made. Among all types of fenders, cell fenders offer minimum reaction per ton-meter energy absorbed. The very geometrical shape gives it sturdiness, shear resistance, compact structure and the capacity to absorb energy equally from all directions. Fendguard's cell type fenders are available in the widest range of sizes with characteristics including:

- Good energy absorption to reaction force ratio (E/R)
- Integrated and fully-embedded fender flanges make assembly and installation simple
- Good shear force resistance due to the large diameter of the fender flanges
- Large fender footprint with good force distribution could lead to relative light panel construction



Model	H	ØD	ØE PCD	T	N - ØC	Bolt Size
Metric (mm)	1450	1850	1650	47	6-61	M52
Imperial (in)	57.1	72.8	65.0	1.85	6-2.40	2

## STANDARD RUBBER GRADE PERFORMANCE

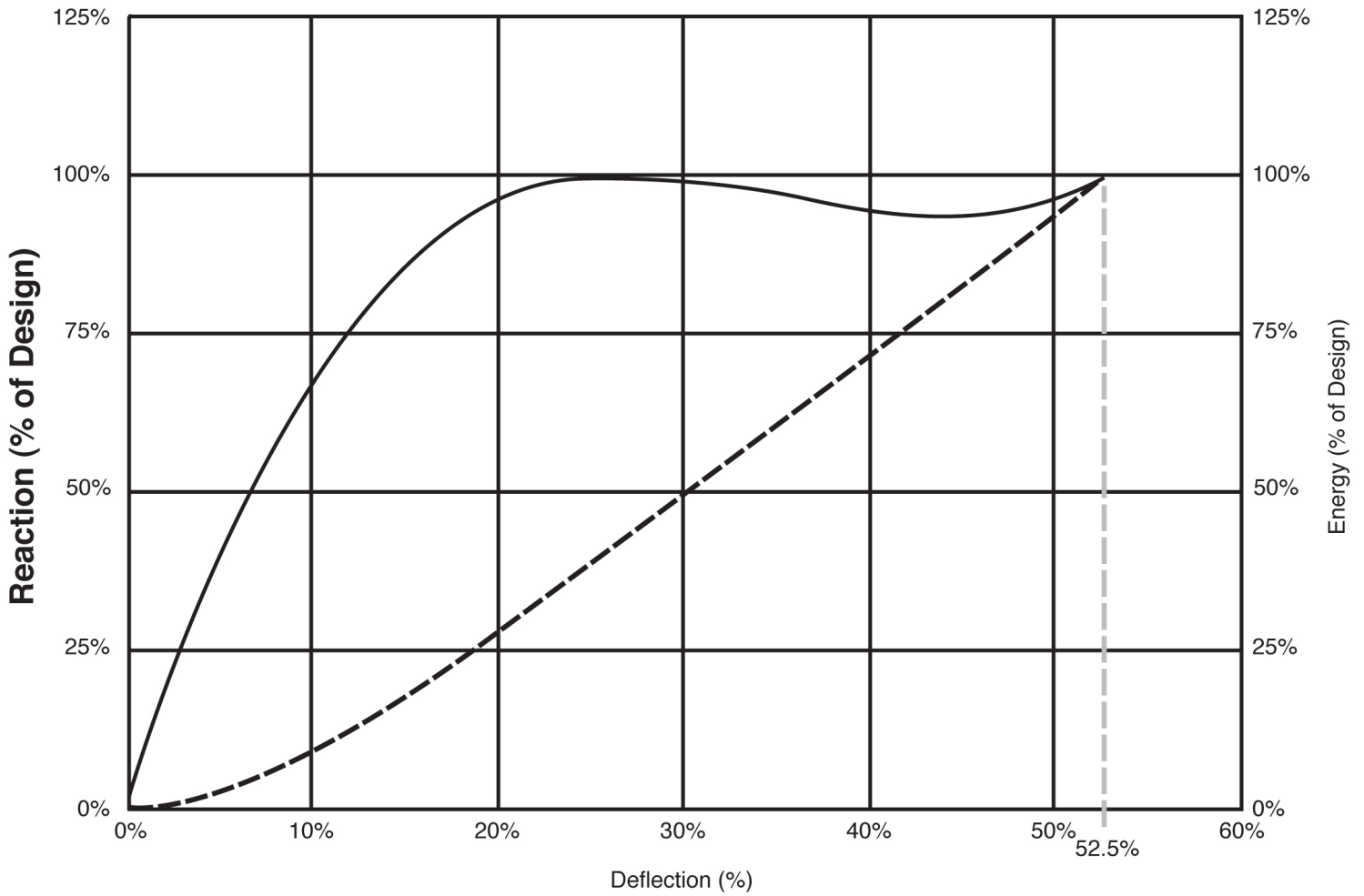
CL-FG-1450	G4		G3		G2		G1		G0	
	R	E	R	E	R	E	R	E	R	E
Metric (kN : kN-m)	1551	987	1376	876	1193	760	918	585	735	468
Imperial (k : ft-kips)	349	727	309	646	268	560	206	431	165	345

## INTERMEDIATE RUBBER GRADES | Metric Units are in kN and kn-m Imperial units are in kips and ft-kips

Grade	Reaction/Energy	Metric	Imperial	Grade	Reaction/Energy	Metric	Imperial
G0.1	R	753	169	G2.1	R	1266	285
	E	480	354		E	806	594
G0.2	R	772	173	G2.2	R	1285	289
	E	491	362		E	818	603
G0.3	R	790	178	G2.3	R	293	293
	E	503	371		E	830	611
G0.4	R	808	182	G2.4	R	1266	285
	E	515	379		E	806	594
G0.5	R	827	186	G2.5	R	1285	289
	E	527	368		E	818	603
G0.6	R	845	190	G2.6	R	293	293
	E	538	397		E	830	611
G0.7	R	863	194	G2.7	R	1321	297
	E	550	405		E	841	620
G0.8	R	881	198	G2.8	R	1339	301
	E	562	414		E	853	629
G0.9	R	900	202	G2.9	R	1358	305
	E	573	423		E	864	637
G1.0	R	918	206	G3	R	1376	309
	E	585	431		E	876	646
G1.1	R	946	213	G3.1	R	1394	313
	E	603	444		E	887	654
G1.2	R	973	219	G3.2	R	1411	317
	E	620	457		E	898	662
G1.3	R	1001	225	G3.3	R	1429	321
	E	638	470		E	909	670
G1.4	R	1028	231	G3.4	R	1446	325
	E	655	483		E	920	678
G1.5	R	1056	237	G3.5	R	1464	329
	E	673	496		E	932	687
G1.6	R	1083	243	G3.6	R	1481	333
	E	690	509		E	943	695
G1.7	R	1111	250	G3.7	R	1499	337
	E	708	521		E	954	703
G1.8	R	1138	256	G3.8	R	1516	341
	E	725	534		E	965	711
G1.9	R	1166	262	G3.9	R	1534	345
	E	743	547		E	976	719
G2	R	1193	268	G4	R	1551	349
	E	760	560		E	987	727

### GENERALIZED PERFORMANCE CURVE-CELL FENDER

— Reaction    - - - Energy



[www.fendguard.com](http://www.fendguard.com)

Toll Free: 1-888-219-0418  
Tel: (604) 273-4557

Fax: 1-888-845-9522 / (604) 273-1006  
E-mail: [sales@fendguard.com](mailto:sales@fendguard.com)