



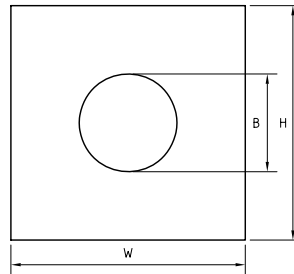
Fendguard offers a complete range of commonly used rubber fenders specifically for vessels and tugboats. These fenders are made of high abrasion resistance rubber with good resilience properties for required application. They are compression moulded in high pressure thermic fluid heated moulds and do have excellent sea water resistance. Fendguard's vessel type fender product line typically includes:

- D type fenders, Square / Rectangular / Cylindrical type fenders, Wing type fenders for vessel sides
- W-fenders, M-fenders, block fenders and key hole fenders for protection at the bow and stern of vessels
- Composite fenders moulded rubber fender with vulcanized or bolted PE facings for works boats and special tugs

Square Shape Fenders



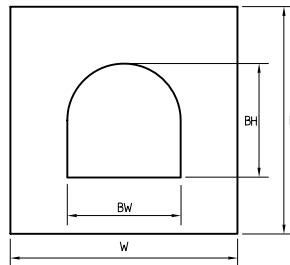
D Bore



Height (H)		Width (W)		Bore (B)		Weight	
In	mm	in	mm	in	mm	lb/ft	kg/m
5	125	6.0	150	2.5	65	14.70	21.88
5	125	6.5	165	2.5	64	13.00	19.35
6	150	6.0	150	2.8	73	14.60	21.73
8	200	8.0	200	3.0	76	33.29	49.54
8	200	10.0	250	3.0	76	42.68	63.51
10	250	10.0	250	4.0	100	51.50	76.64
10	250	12.0	300	4.0	100	62.92	93.64
10	250	12.0	300	5.0	125	58.70	87.36
12	300	12.0	300	4.0	100	76.90	114.44
12	300	12.0	300	5.0	125	68.34	101.70
12	300	12.0	300	6.0	150	67.70	100.75
14	350	14.0	350	6.0	150	98.61	146.75



D Bore

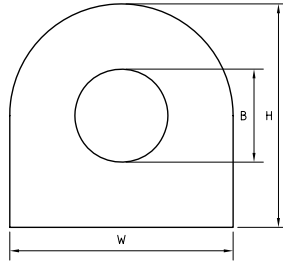


Height (H)		Width (W)		Bore Width (BW)		Bore Height (BH)		Weight	
In	mm	in	mm	in	mm	in	mm	lb/ft	kg/m
5	125	5	125	2.00	50	2.00	50	18.83	28.02
6	150	6	150	2.75	70	2.56	65	17.12	25.48
8	200	8	200	3.54	90	3.75	95	30.04	44.70
8	200	10	250	4.72	120	3.74	95	36.96	55.00
10	250	10	250	4.72	120	4.72	120	46.07	68.56
10	250	12	300	5.51	140	4.53	115	56.27	83.74
12	300	12	300	4.92	125	5.31	135	69.58	103.55
14	350	14	350	7.00	175	7.00	175	88.29	131.39

D Shape Fenders



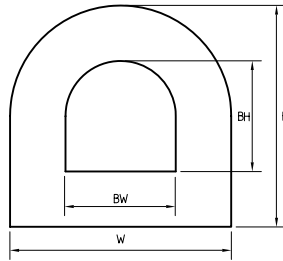
O Bore



Height (H)		Width (W)		Bore (B)		Radius		Weight	
In	mm	in	mm	in	mm	in	mm	lb/ft	kg/m
5	125	6	150	2.5	64	2.5	64	12.92	19.23
6	150	6	150	2.5	64	3.0	76	15.56	23.16
8	200	8	200	3.0	64	4.0	100	29.37	43.71
9	230	9	230	3.0	76	4.5	115	37.48	55.78
10	250	10	250	4.0	100	5.0	125	45.19	67.25
12	300	12	300	5.0	125	6.0	150	63.94	95.15
14	350	14	350	6.0	150	7.0	175	87.08	129.59

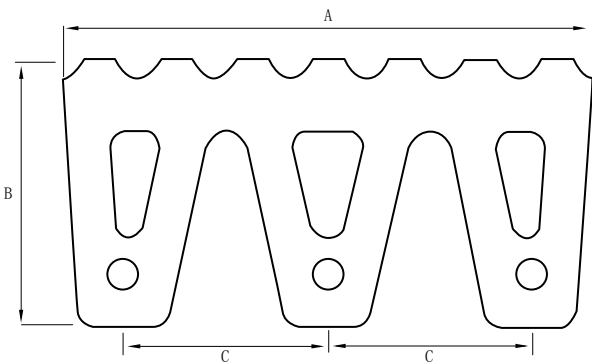
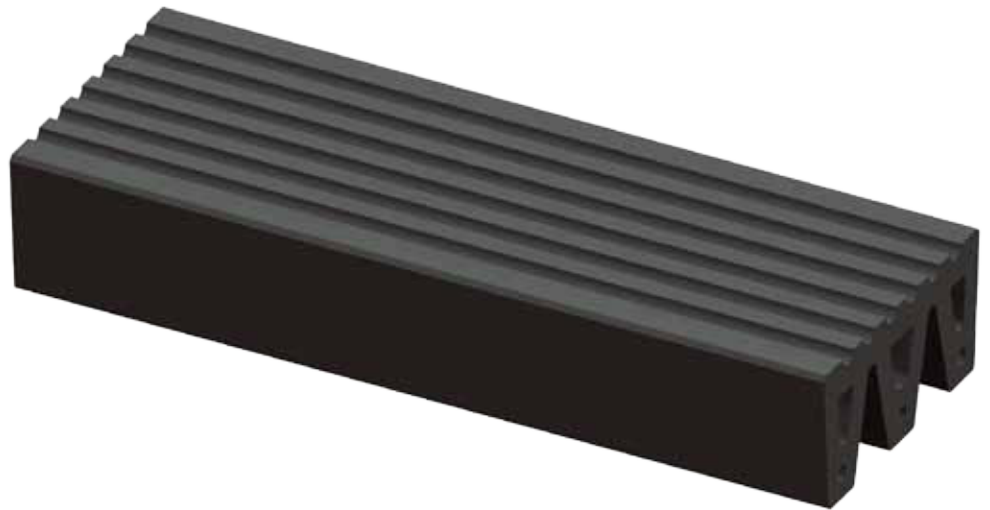


D Bore



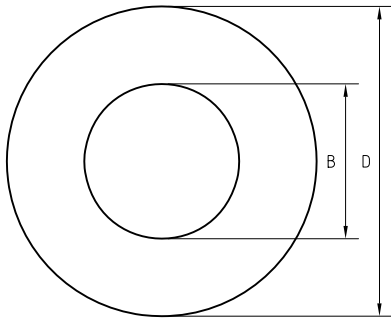
Height (H)		Width (W)		Bore Width (BW)		Bore Height (BH)		Weight	
In	mm	in	mm	in	mm	in	mm	lb/ft	kg/m
5	125	5	125	2.36	60	2.36	60	11.88	17.68
6	150	6	150	2.95	75	2.95	75	14.32	21.31
8	200	8	200	4.00	100	4.00	100	26.96	40.12
10	250	10	250	4.92	125	4.92	125	41.57	61.86
12	300	12	300	6.00	150	6.00	150	58.82	87.53
14	350	14	350	7.00	175	7.00	175	80.11	119.22

M Shape Fenders



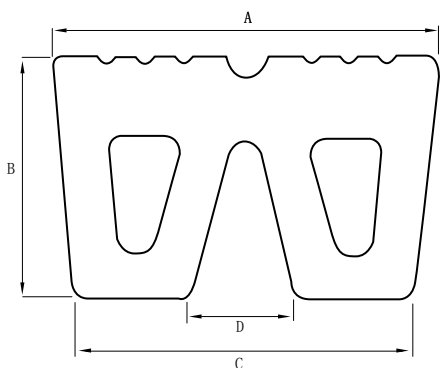
A		B		C		Weight	
In	mm	in	mm	in	mm	lb/ft	kg/m
15.75	400	7.87	200	5.91	150	37.63	56.00
19.69	500	9.84	250	7.48	190	59.81	89.01
23.62	600	11.81	300	9.06	230	88.70	132.00
31.50	800	15.75	400	12.01	305	157.91	235.00

Cylindrical Fenders



OD (D)		ID (B)		Weight	
In	mm	in	mm	lb/ft	kg/m
6	150	3	75	12.4	18.45
8	200	4	100	22.1	32.89
10	250	5	125	34.5	51.34
12	300	6	150	49.6	73.81
14	350	7	175	67.5	100.45
16	400	8	200	88.2	131.26
18	450	9	225	111.6	166.08
20	500	10	250	137.8	205.07
24	600	12	300	198.3	295.10
28	700	14	350	270.2	402.10
30	760	15	380	310.1	461.48
40	1000	20	500	551.3	820.42

W Shape Fenders



A		B		C		D		Weight	
In	mm	in	mm	in	mm	in	mm	lb/ft	kg/m
12.60	320	7.87	200	11.02	280	7.09	180	34.27	51.00
15.75	400	9.84	250	13.78	350	8.66	220	54.43	81.00
18.90	480	11.81	300	16.77	426	10.59	269	80.64	120.01
19.69	500	17.72	450	16.54	420	10.04	255	120.95	179.99